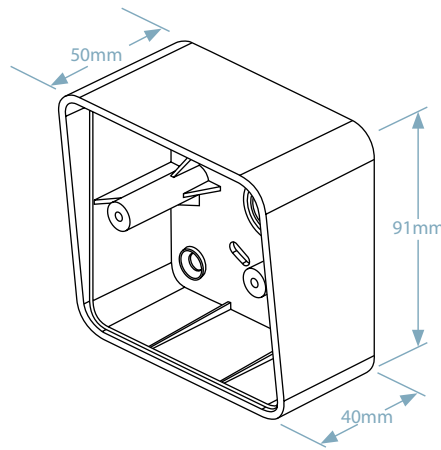
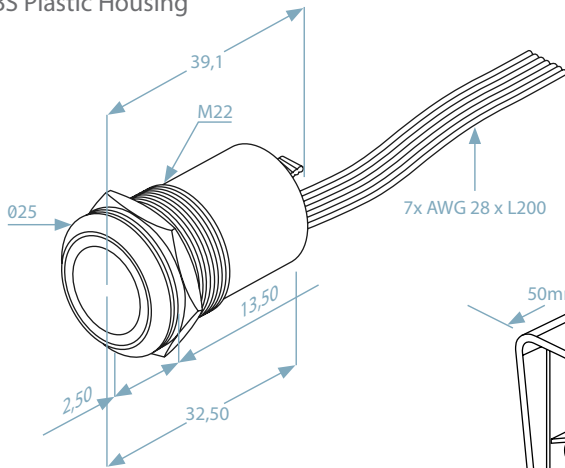


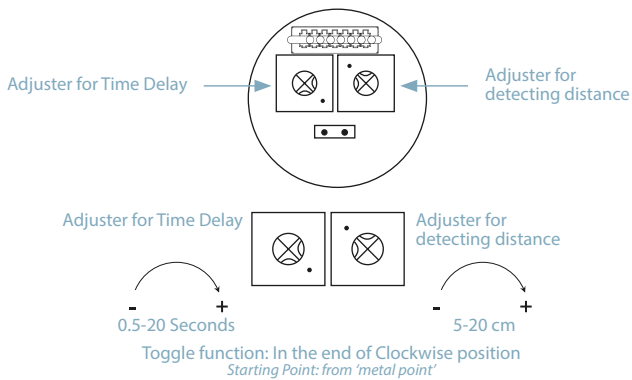
# DRB-IR-1224-SBB-BLK

## Flush IR Button

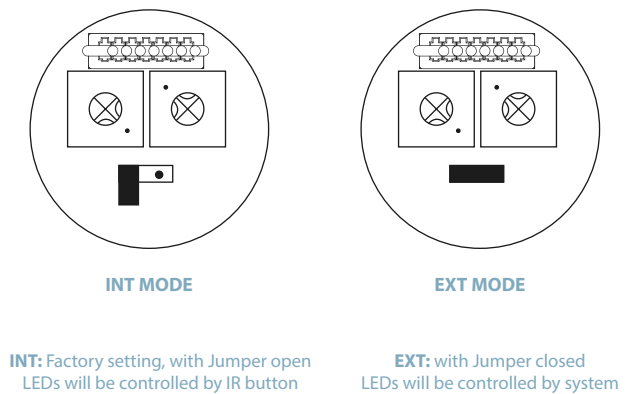
- Brushed Stainless Steel Plate
- IR Button
- Surface mount
- COM-N/O - N/C
- 12~24VDC Operation
- ABS Plastic Housing



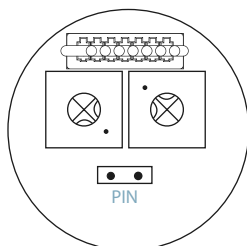
### SETTINGS



### INT/EXT MODE



### CABLES



- Red cable: 12-24VDC
  - Black cable: 0VDC
  - Yellow: Green LED controlled in EXT
  - White: Red LED controlled in EXT mode
  - Green: N.O
  - Blue: COM
  - Purple: N.C
- } Change-over Contact