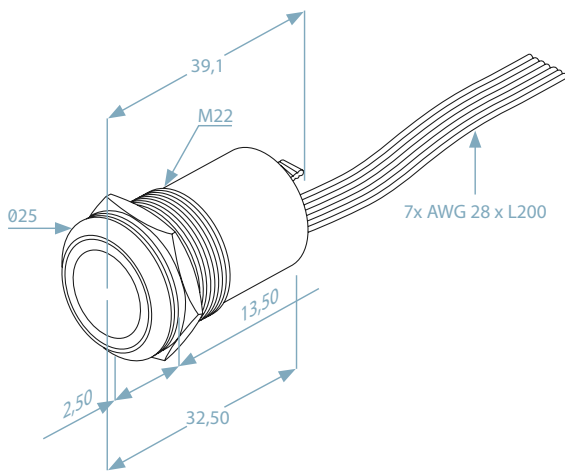


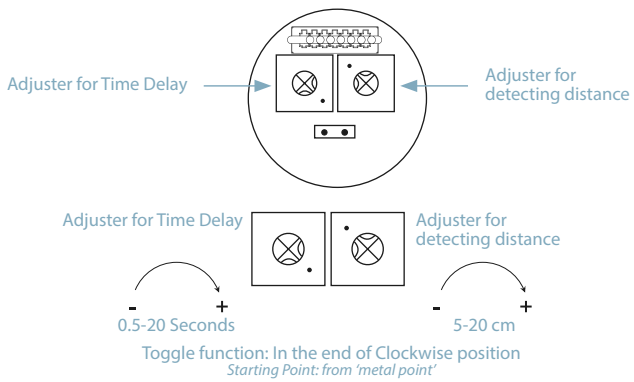
DRB-IR-1224

Flush IR Button

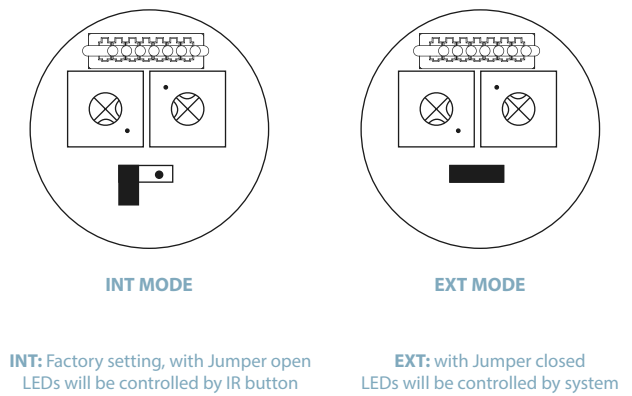
- Brushed Stainless Steel Plate
- IR Button
- Flush mount
- COM-N/O - N/C
- 12~24VDC Operation



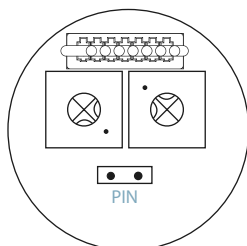
SETTINGS



INT/EXT MODE



CABLES



- Red cable: 12-24VDC
 - Black cable: 0VDC
 - Yellow: Green LED controlled in EXT
 - White: Red LED controlled in EXT mode
 - Green: N.O
 - Blue: COM
 - Purple: N.C
- } Change-over Contact