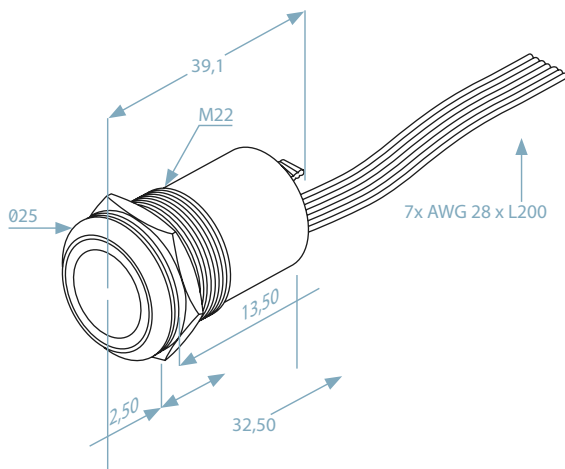


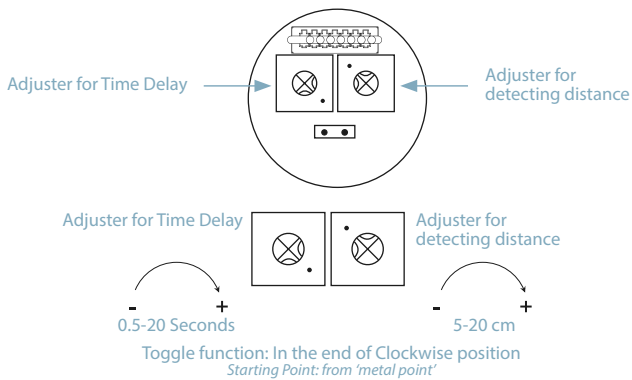
# DRB-IR-N

## Flush IR Button

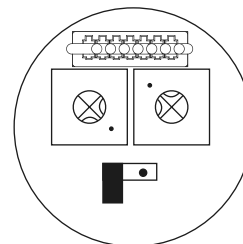
- Brushed Stainless Steel Plate
- IR Button
- Surface mount
- COM-N/O - N/C
- 12~24VDC Operation



### SETTINGS

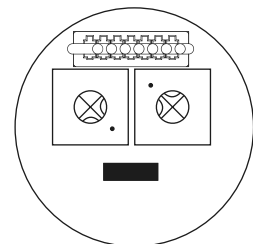


### INT/EXT MODE



INT MODE

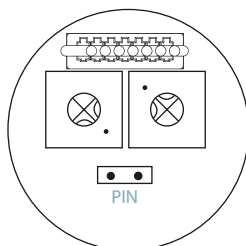
**INT:** Factory setting, with Jumper open  
LEDs will be controlled by IR button



EXT MODE

**EXT:** with Jumper closed  
LEDs will be controlled by system

### CABLES



Red cable: 12-24VDC

Black cable: 0VDC

Yellow: Green LED controlled in EXT

White: Red LED controlled in EXT mode

Green: N.O

Blue: COM

Purple: N.C

} Change-over Contact