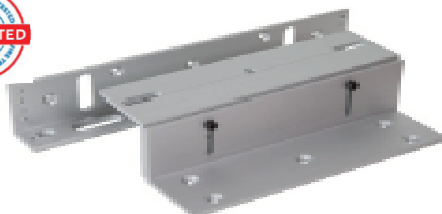


Product Code: DAA-KPRKIT1

Kit consists of the following items

- 1 x EA-DP500W KEYPAD PROXIMITY READER IP68 C/W 5 FOBS
- 1 x EA-PS2A-12-S 2AMP 12VDC POWER SUPPLY UNIT
- 1 X EAML600 FIRE RATED MINI MAGNET FOR 30 AND 60 MINUTE FIRE DOORS TO BSEN1634
- 1 X EABK600ZL Z AND L BRACKET KIT FOR MAGNET
- 1 X EBGB02 GREEN DOME EXIT BUTTON SURFACE MOUNT
- 1 X EAEDR-2 BREAK GLASS UNIT, C/W COVER, LED AND SOUNDER

Ideal for use on commercial properties, small business's, schools etc where a standalone system is required for a small number of doors. Programming is done via the keypad as a standalone system. The reader is also waterproof, moisture-proof durable. It also has the capacity for up to 2000 users as standard.





Keypad /Reader

- Working voltage: 12/24Vdc
- Strong zinc alloy vandal resistant case
- Supports card, PIN or both
- Easy to install and program
- Backlit keys
- With anti theft alarm output for external alarm device
- With built-in anti theft equipment's
- Adjustable relay time (1-99 seconds)
- Capacity: 2000 users, codes or cards
- Frequency: 125KHz
- Reading range 5-6cm
- Wiegand 26 output
- Environment temperature: -45°C to 60°C
- Dimensions: 120 x 80 x 25mm
- Internal (DPS) and external (DPS-W) versions available. External version is IP68 fully potted.

Magnetic Lock :

- Power supply: 12/24Vdc
- Slimline mini magnet for 30 and 60 minute fire doors to BSEN1634
- 280Kg (600lbs) Holding Force
- 500mA at 12Vdc
- Dimensions:
- Magnet: 250 x 42 x 25 (mm)
- Z Bracket: 180mm
- L Bracket : 251mm

Exit Button :

- Large green button
- Stainless Steel Plate
- High impact green surface back box
- Double pole NO/NC contact
- Rating 4 Amp contact @ 30V AC/DC
- Surface or flush fitting
- IP66 Rated
- Easy cable entry from sides or rear
- Dimensions: 85H x 85W x 28D mm

Emergency Door Release Double pole (BGU) :

- Double Switch
- Double pole NO/NC Contacts
- Includes Audible /LED warning (selectable)
- 12/24V Operation (selectable)
- Includes plastic front cover that flips up for operation
- Key reset (not replacement glass)
- Internal use only
- Dimensions: 85H x 85W x 51D mm
- Internal use only

2Amp 12Vdc Switch Mode Power Supply Unit

- Small box power supply
- 220Vac Power input
- 12Vdc 2Amp output
- Metal hinged box
- Deep discharge protection
- LED indication
- Key lockable
- Battery charging circuit (Battery sole separately)

Product Code: DAA-KPRKIT1

1. Packing list

Name	Quantity	Remarks
Keypad	1	
User manual	1	
Screw driver	1	Φ20mm×60mm, special for keypad
Rubber plug	2	Φ6mm×30 mm, used for fixing
Self tapping screws	2	Φ4mm×28 mm, used for fixing
Star screws	1	Φ3mm×6mm, used for fixing

Please ensure that all the above contents are correct. If any are missing please notify us immediately

2. Quick reference programming guide

To enter programming mode	* Master code # 999999 is the default master code
To exit programming mode	*
Note that to undertake the following programming the master user must be logged in	
To change the master code	0 New code # New code # The master code can be 6 to 8 digits
To add a PIN user	1 User ID number # PIN # The ID number is any number between 1 & 2000. The PIN is any four digits between 0000 & 9999 with the exception of 1234 which is reserved. Users can be added continuously without exiting programming mode.
To add a card user	1 Read card # Cards can be added continuously without exiting programming mode
To delete a PIN or card user	2 User ID number # for a PIN user or 2 Read card # for a card user Users can be deleted continuously without exiting programming mode
To unlock the door for a PIN user	Enter the PIN then press #
To unlock the door for a card user	Read valid card

3. Description

The unit is a single door multifunction standalone access controller or a Wiegand output keypad or card reader. It is suitable for mounting either indoor or outdoor in harsh environments. It is housed in a strong, sturdy and vandal proof zinc alloy electroplated case. The DPS is for internal use, the DPS-W is for external use as the electronics are fully potted so the unit is waterproof and conforms to IP68. This unit supports up to 2000 users in either a card, 4 digit PIN, or a card + PIN option. The inbuilt card reader supports 125KHZ EM cards. The unit has many extra features including lock output current short circuit protection, Wiegand output, and a backlit keypad. These features make the unit an ideal choice for door access not only for small shops and domestic households but also for commercial and industrial applications such as factories, warehouses, laboratories, banks and prisons.

Product Code: DAA-KPRKIT1

4. Features

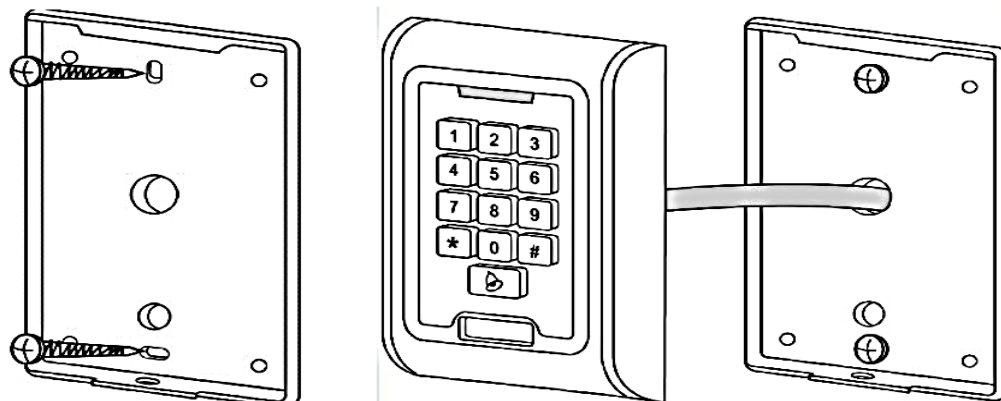
- Waterproof, conforms to IP68 (DPS-W version only)
- Strong zinc alloy electroplated anti-vandal case
- Full programming from the keypad
- 2000 users, supports card, PIN, or card + PIN
- Can be used as a standalone keypad
- Backlit keys
- Wiegand 26 input for connection to external reader
- Wiegand 26 output for connection to a controller
- Adjustable door output, alarm and door open times
- Very low power consumption (30mA)
- Fast operating speed, <20ms with 2000 users
- Lock output short circuit protection
- Easy to install and program
- Built in LDR for anti-tamper
- Built in buzzer
- Red, yellow & green LEDs display working status

5. Specification

Operating voltage	12-24Vdc
User capacity	2000
Card reading distance	3-6 cm
Active current	<60 mA
Idle current	25±5 mA
Lock output load	Max 3A
Alarm output load	Max 20A
Operating temperature	-45 to 60°C
Operating humidity	10% to 90% RH
Waterproof	DPS – internal use. DPS-W – conforms to IP68
Adjustable door relay time	0-99 seconds
Adjustable alarm time	0-3 minutes
Wiegand interface	Wiegand 26 bit
Wiring connections	Electric lock, exit button, external alarm

6. Installation

- Remove the back cover from the keypad using the supplied special screw driver.
- Mark and drill two holes on the wall for the self-tapping fixing screws and one for the cable.
- Put the two wall plugs into the fixing holes.
- Fix the back cover firmly on the wall with the two self-tapping screws.
- Thread the cable through the cable hole.
- Attach the keypad to the back cover.



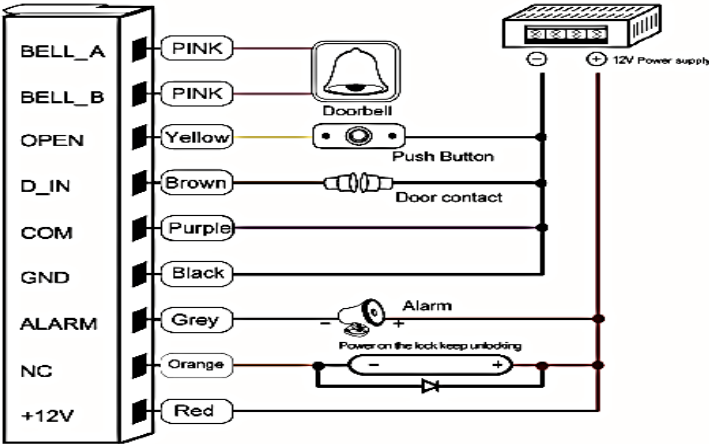


Product Code: DAA-KPRKIT1

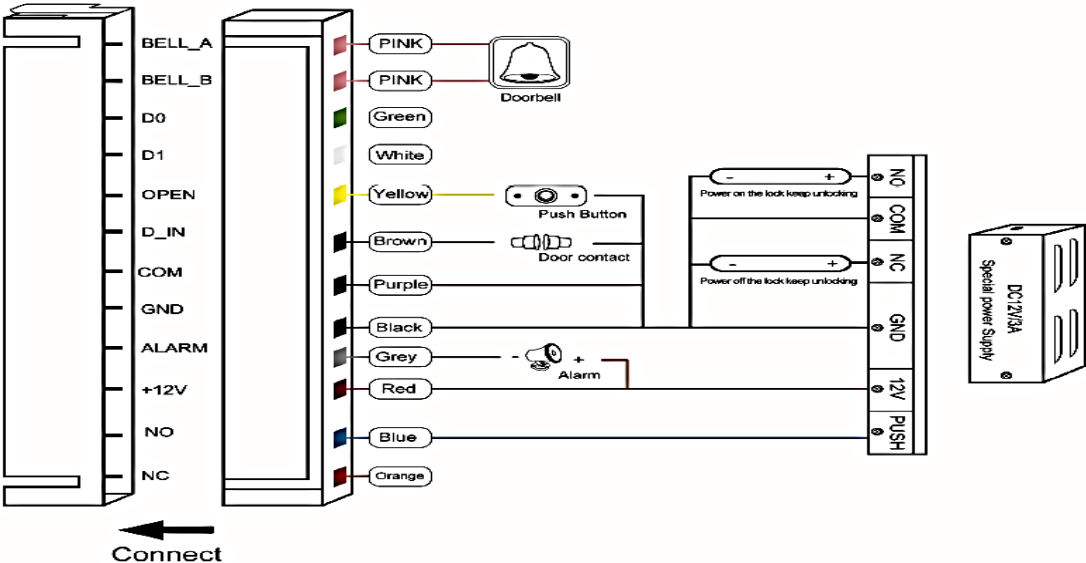
7. Wiring

Colour	Function	Description
Pink	BELL_A	Doorbell button one end
Pink	BELL_B	Doorbell button to the other end
Green	D0	WG output D0
White	D1	WG output D1
Grey	ALARM	Alarm negative (alarm positive connected to 12/24V+)
Yellow	OPEN	Exit button one end (the other end connected to GND)
Brown	D_IN	Magnetic switch one end (the other end connected to GND)
Red	12/24V +	12/24V + DC regulated power input
Black	GND	12/24V – DC regulated power input
Blue	NO	Relay normally open
Purple	COM	Relay common
Orange	NC	Relay normally closed

Common power supply diagram



Special power supply diagram



Product Code: DAA-KPRKIT1

8. To reset to factory default

- Disconnect power from the unit.
- Press and hold the # key whilst powering the unit back up.
- On hearing the two “Di” sounds, release the # key, system is now back to factory settings.

Please note only installer data is restored, user data will not be affected.

9. Anti- tamper alarm

The unit uses an LDR (light dependent resistor) as an anti-tamper alarm. If the keypad is removed from the cover then the alarm will operate.

10. Sound and light indication

Operation Status	Red Light	Green Light	Yellow Light	Buzzer
Power on	-	Bright	-	Di
Stand by	Flashing	-	-	-
Press keypad	-	-	-	Di
Operation successful	-	Bright	-	Di
Operation failed	-	-	-	DiDiDi
Enter into programming mode	Solid	-	-	-
In the programming mode	-	-	Solid	Di
Exit from the programming	Bright	-	-	Di
Open the door	-	Solid	-	Di
Alarm	Flashing	-	-	Alarm

11. Detailed programming guide

11.1 User settings

To enter programming mode	* Master code # 999999 is the default master code
To exit programming mode	*
Note that to undertake the following programming the master user must be logged in	
To change the master code	0 New code # New code # The master code can be 6 to 8 digits
Setting the working mode:	
Set valid card users only	3 0 # Entry is by card only
Set valid card and PIN users	3 1 # Entry is by card and PIN together
Set valid card or PIN users	3 2 # Entry is by either card or PIN (default)

Product Code: DAA-KPRKIT1

To add a user in either card or PIN mode, i.e. in the 3 2 # mode. (Default setting).	
To add a PIN user	1 User ID number # PIN # The ID number is any number between 1 & 2000. The PIN is any four digits between 0000 & 9999 with the exception of 1234 which is reserved. Users can be added continuously without exiting programming mode as follows: 1 User ID No1 # PIN # User ID No2 # PIN #
To delete a PIN user	2 User ID number # Users can be deleted continuously without exiting programming mode
To change the PIN of a PIN user (This step must be done out of programming mode)	* ID number # Old PIN # New Pin # New Pin #
To add a card user (method 1) This is the fastest way to enter cards, user ID number auto generation.	1 Read card # Cards can be added continuously without exiting programming mode
To add a card user (method 2) This is the alternative way to enter cards using User ID allocation. In this method, a User ID is allocated to a card. Only one User ID can be allocated to a single card.	1 User ID number # Read card # Users can be added continuously without exiting programming mode
To add a card user (method 3) Add by the number on the card. Card number is the last 8 digits printed on the back of the card. User ID number auto generation.	1 Card number # Users can be added continuously without exiting programming mode
To add a card user (method 4) In this method, a User ID is allocated to a card number. Only one User ID can be allocated to the card number.	1 ID number # Card number # Users can be added continuously without exiting programming mode
To delete a card user (method 1) This method uses the card itself that needs to be deleted.	2 Read card # Users can be deleted continuously without exiting programming mode
To delete a card user (method 2) This method is for deleting users by User ID number. This operation can be used when the user has lost their card.	2 User ID number # Users can be deleted continuously without exiting programming mode
To delete a card user (method 3) This option is for deleting users by card number. This operation can be used when the user has lost their card.	2 Card number # Users can be deleted continuously without exiting programming mode
To add a card and PIN user in card and PIN mode (3 1 #) mode.	
To add a card and PIN user The PIN is any 4 digits between 0000 & 9999 with the exception of 1234 which is reserved.	Add the card user as for a card user Press * to exit from programming mode, then allocate the card a PIN as follows: * Read card 1234 # PIN # PIN #

Product Code: DAA-KPRKIT1

To change a PIN in card and PIN mode (method 1) Change using card. Note that this is done outside of programming mode so the user can undertake this themselves.	* Read card Old PIN # New PIN # New PIN #
To change a PIN in card and PIN mode (method 2) Change using User ID number. Note that this is done outside of programming mode so the user can undertake this themselves.	* ID number # Old PIN # New PIN # New PIN #
To delete card and PIN user To delete the user just delete the card	2 User ID number #
To add a card user in card mode (3 0 #) mode.	
To add or delete a card user	The operating is the same as adding and deleting a card user in 3 0 #
To delete all users	
To delete all users Please note this is a dangerous operation, use with care	2 0000 #
To unlock the door	
For a PIN user	Enter the PIN then press #
For a card user	Read card
For a card and PIN user	Read card then enter PIN #

11.2 Door settings

Relay output delay time	
To set door relay strike time	* Master code # 4 0-99 # * 0-99 is to set the door relay time to 0-99 seconds
Door open detection Door open too long (DOTL) warning. When used with an optional magnetic contact or a magnetic lock with a built-in contact, if the door is opened normally, but not closed after one minute, the inside buzzer will beep automatically to remind people to close the door and continue for one minute before switching off automatically. Door forced open warning. When used with an optional magnetic contact or a magnetic lock with a built-in contact, if the door is forced open, or if the door is opened after 20 seconds, the inside buzzer and alarm output will both operate. The alarm output time is adjustable between 0-3 minutes, with the default being 1 minute.	
To disable door open detection (factory default)	6 0 #
To enable door open detection	6 1 #

Product Code: DAA-KPRKIT1

Alarm output time	
To set the alarm output time (0-3 minutes). Factory default 1 minute	5 0-3 #
Keypad lockout & alarm output options	
If there are 10 invalid cards or 10 incorrect PIN's entered in a 10 minute period, either the keypad will lockout for 10 minutes or both the alarm and inside buzzer will operate for 10 minutes, depending on the option selected below.	
Normal status: No keypad lockout or alarm (factory default)	7 0 # (Factory default)
Keypad lockout	7 1 #
Alarm and inside buzzer operation	7 2 #
To turn off the alarm	
To reset the door forced open alarm	Read valid card or Master code #
To reset the door open too long alarm	Close the door or Read valid card or Master code #

12. The unit operating as a Wiegand output reader

In this mode the unit supports a Wiegand 26 bit output so the Wiegand data lines can be connected to any controller which supports Wiegand 26 bit input.

