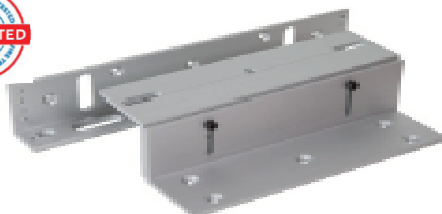


DAA-PRKIT1

Kit consists of the following items

- 1 x EAPN10 PROXIMITY READER IP68 C/W 5 FOBS
- 1 x EA-PS2A-12-S 2AMP 12VDC POWER SUPPLY UNIT
- 1 X EAML600 FIRE RATED MINI MAGNET FOR 30 AND 60 MINUTE FIRE DOORS TO BSEN1634
- 1 X EABK600ZL Z AND L BRACKET KIT FOR MAGNET
- 1 X EBGB02 GREEN DOME EXIT BUTTON SURFACE MOUNT
- 1 X EAEDR-2 BREAK GLASS UNIT, C/W COVER, LED AND SOUNDER

Ideal for use on commercial properties, small business's, schools etc where a standalone system is required for a small number of doors. Programming is done via programming card as a standalone system, The reader has an interlocking and Anti-passback function built in that can be used if required. The reader is also waterproof, moisture-proof durable. It also has the capacity for up to 10,000 users as standard.





Proximity reader:

- Power supply: 12/24Vdc
- Up to 10,000 users
- Fully potted IP68
- Strong zinc alloy vandal resistant case
- Built in LDR for anti-tamper
- Reading range: 3-6 cm
- Frequency: 125KHz
- Adjustable relay & alarm time
- Weigand 26 output
- Interlock & anti-passback functions
- Easy to program by admin cards or IR remote
- Dimensions: 115 x 56 x 22 mm
- IP68



Magnetic Lock :

- Power supply: 12/24Vdc
- Slimline mini magnet for 30 and 60 minute fire doors to BSEN1634
- 280Kg (600lbs) Holding Force
- 500mA at 12Vdc
- Dimensions:
- Magnet: 250 x 42 x 25 (mm)
- Z Bracket: 180mm
- L Bracket : 251mm



Exit Button :

- Large green button
- Stainless Steel Plate
- High impact green surface back box
- Double pole NO/NC contact
- Rating 4 Amp contact @ 30V AC/DC
- Surface or flush fitting
- IP66 Rated
- Easy cable entry from sides or rear
- Dimensions: 85H x 85W x 28D mm



Emergency Door Release Double pole (BGU) :

- Double Switch
- Double pole NO/NC Contacts
- Includes Audible /LED warning (selectable)
- 12/24V Operation (selectable)
- Includes plastic front cover that flips up for operation
- Key reset (not replacement glass)
- Internal use only
- Dimensions: 85H x 85W x 51D mm
- Internal use only



2Amp 12Vdc Switch Mode Power Supply Unit

- Small box power supply
- 220Vac Power input
- 12Vdc 2Amp output
- Metal hinged box
- Deep discharge protection
- LED indication
- Key lockable
- Battery charging circuit (Battery sole separately)

DAA-PRKIT1

1. Packing list

Name	Quantity	Remarks
Proximity reader	1	PN10
Infrared remote	1	
Manager add card	1	
Manager delete card	1	
User manual	1	
Self-tapping screws	2	Φ3.5mm×27mm, used for fixing
Screw driver	1	Star

Please ensure that all the above contents are correct. If any are missing please notify us immediately

2. Description

The PN10 is a waterproof standalone or Wiegand access control proximity reader. It uses an advanced microprocessor with a high capacity flash memory for up to 10,000 users. Users can be added and deleted via admin cards making it very simple to operate. The infrared remote control allows settings to be quickly changed, including altering the relay time, applying the anti-passback function or deleting individual lost cards. Two units can also be interlocked. It has low power consumption, anti-theft alarm and door release button, all these make it convenient, safe and reliable.

3. Features

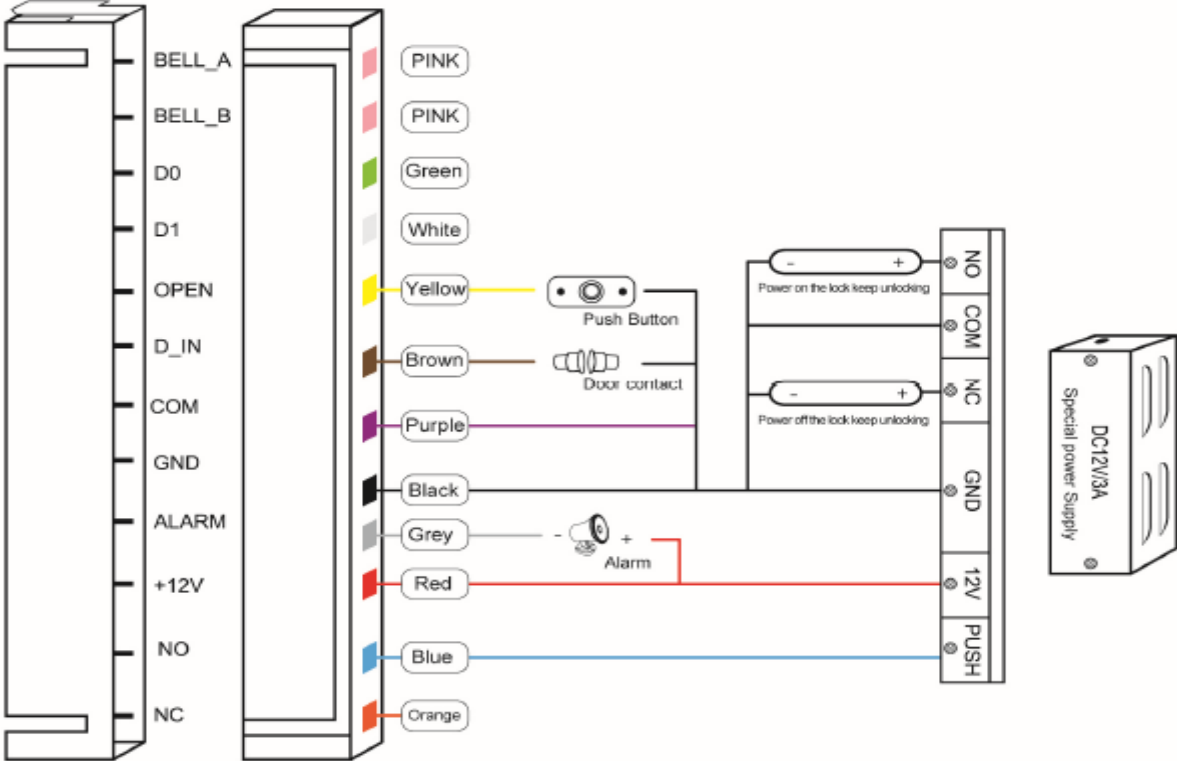
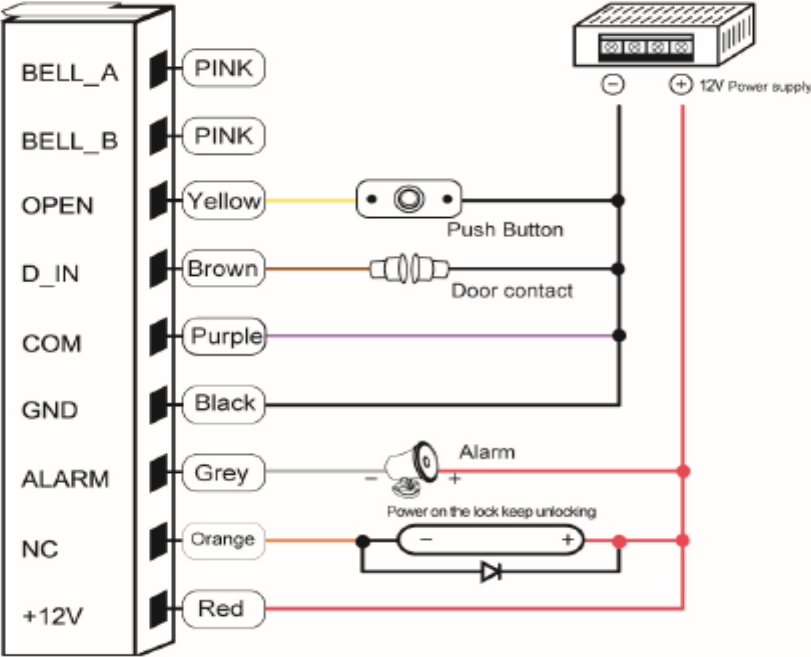
- Zinc alloy, anti-vandal shell
- Waterproof, conforms to IP68
- High capacity memory, 10,000 users
- Wiegand 26 output and Wiegand 26 input
- Besides standalone, it can connect to a controller as a slave reader
- Infrared remote control and manager cards for programming
- Two devices can be interlocked
- Red, yellow and green LEDs display the working status
- Built in buzzer for anti-tamper alarm, and external alarm output
- Adjustable door output, alarm and door open times
- Fast operating speed

4. Specification

Operating voltage	12-24Vdc
User capacity	10,000
Static consumption	<30mA
Card reading distance	5-8cm
Frequency	125KHz
Operating temperature	-10 to 60°C
Operating humidity	20% to 98% RH
Lock output load	2A
Alarm output load	2A
Waterproof	IP68
Dimensions	115 x 56 x 22 mm



DAA-PRKIT1



DAA-PRKIT1

7. Factory reset & set management cards

Turn off power to the unit. Connect the two pink wires then power on. After the beep, the factory reset is complete and the LED will turn green. Now it is necessary to learn the admin cards again. Read the first card as the admin add card, and the second card as the admin delete card.

Note: Factory reset does not delete user data.

8. Sound & light indication

Operation	LED indicator	Buzzer
Initialisation	Orange	Didi
Standby	Red flash	
Valid button press		Di
Enter programming	Red solid	Di
Setting	Orange	Di
Exit programming	Red flash	Di
Operation failed		Didi
Lock open	Green	Di
Alarm	Quick red flash	Alarm
Add sequential Card No.	Quick green flash	

9. Programming

9.1 Managing users via admin card

9.1.1 Add user via admin card

Read admin add card **Read user card 1** **Read user card 2** ... **Read admin add card**

9.1.2 Delete user via admin card

Read admin delete card **Read user card 1** **Read user card 2** ... **Read admin delete card**

9.2 Enter into programming mode (remote control)

* **Master code** # Default master code is 999999

All the steps below must be done after entering into programming mode.

9.3 Change the master code

0 **New master code** # **New master code** #

9.4 Add users by remote control

9.4.1 Read card to add user

1 **Read card 1** # **Read card 2** # ... #

9.4.2 Use card number to add user

1 **Card number** # **Card number** # ... #

Note: Multiple cards can be added without exiting programming mode. Card number digits must be 8 or 10 digits, if the card number is less than 8 or 10 digits, input 0 before the card number.

DAA-PRKIT1

9.4.3 Add sequential card numbers

1 **Card quantity** **#** **First card number** **#**

Add consecutive number card users, card quantity 1-9999. Fast green flash to confirm.

9.5 Delete users by remote control

9.5.1 Read card to delete user

2 **Read card 1** **#** **Read card 2** **#** ... **#**

4

9.5.2 Use card number to delete user

2 **Card number** **#** **Card number** **#** ... **#**

Multiple cards can be deleted without exiting programming mode.

9.5.3 Delete all users

2 **0000** **#**

Note: This operation will delete all users, but admin card won't be deleted.

9.6 Safe mode setting

9.6.1 Normal mode (Factory default)

3 **0** **#**

9.6.1 Dead mode

3 **1** **#**

Read invalid card 10 times continuously within 10 minutes, the device will be dead for 10 minutes.

9.6.2 Alarm mode

3 **2** **#**

Read invalid card 10 times continuously within 10 minutes, both the built-in buzzer and external alarm sound.

9.7 Door open time setting

4 **0 - 99** **#**

Note: Range is 0 – 99 seconds. 0s equates to 50Ms.

DAA-PRKIT1

9.8 Alarm time setting

5 0-3 #

Note: Range is 0 – 3 minutes. Factory default is 1 minute.

9.9 Red light mode setting

9.9.1 Standby disable mode (red light is off when device is on standby)

6 0 #

9.9.2 Standby normal mode (red light flashes when device is on standby, factory default)

6 1 #

9.10 Interlock mode setting

9.10.1 Interlock disabled (factory default)

7 0 #

9.10.2 Interlock enabled

7 1 #

9.11 Anti-passback mode setting

9.11.1 Anti-passback disabled (factory default)

8 0 #

9.11.2 Anti-passback host mode enabled

8 1 #

9.11.2 Anti-passback subsidiary mode enabled

8 2 #

Note: Details will be illustrated in the advanced application section below.

10. User operation

10.1 User to release the door

Read valid card

Reading a valid card user will unlock the door, admin cards will not unlock the door.

10.2 Remove alarm operation

Read valid card Or **Read admin card** Or **Input master code**

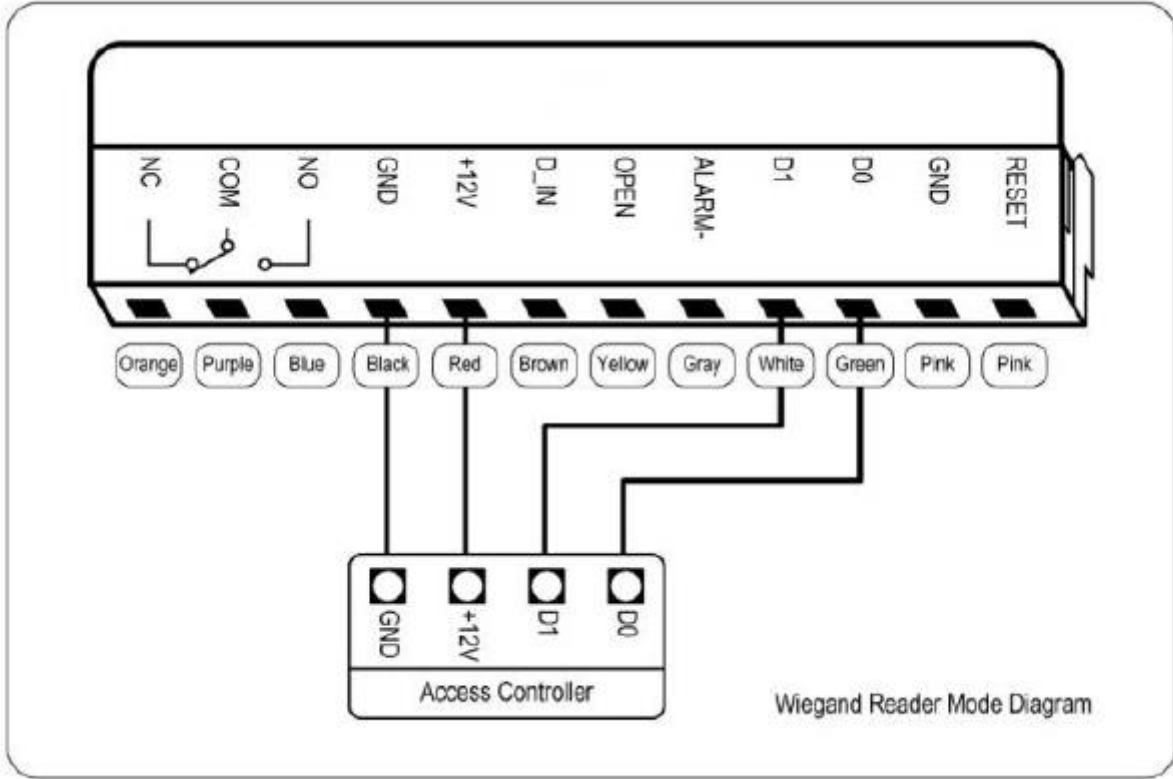
11. Advanced applications

11.1 PN10 works as a slave reader, connecting to a controller

PN10 supports Wiegand output. It can be connected to a controller which supports Wiegand 26 input as its slave reader.

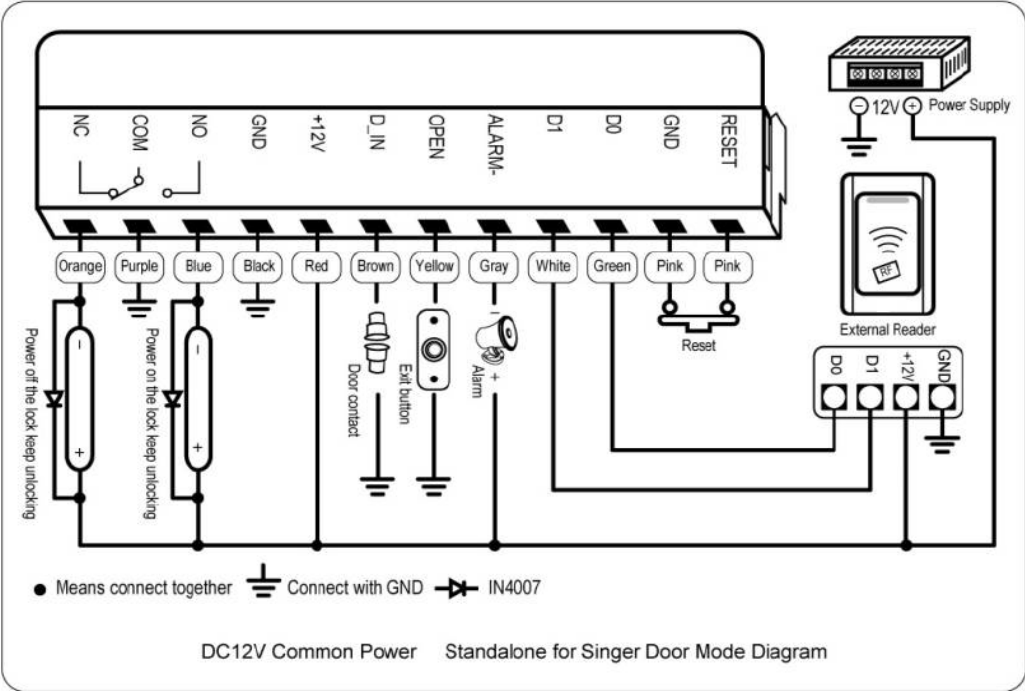


DAA-PRKIT1



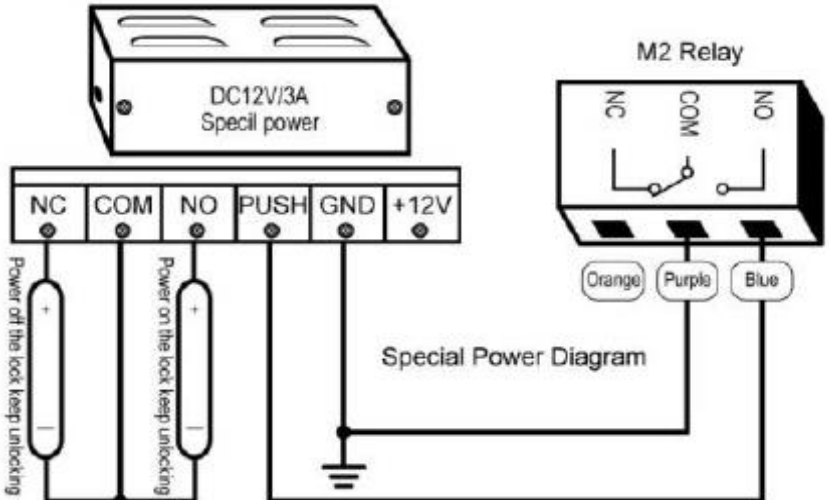
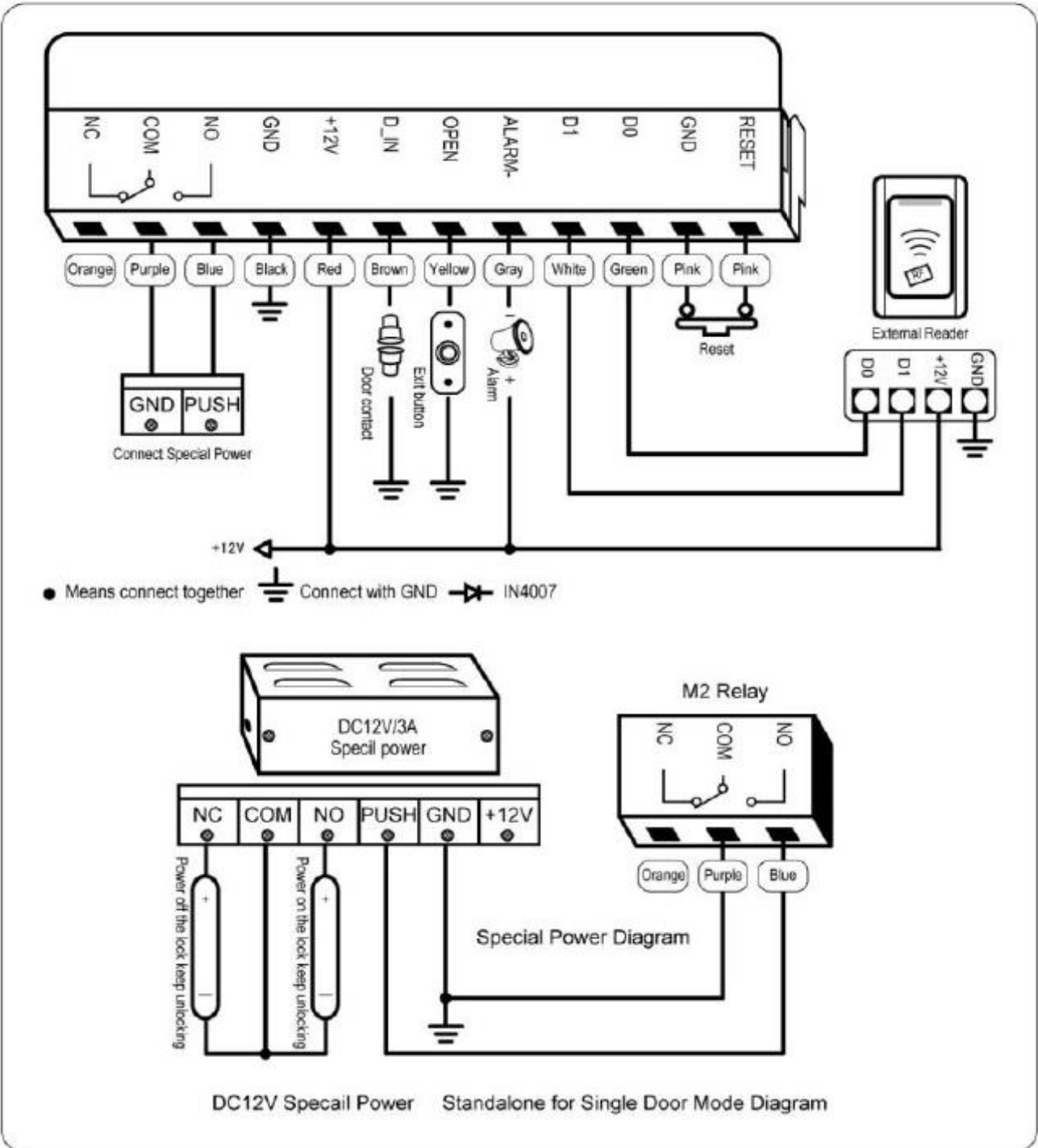
11.2 PN10 works as a controller, connecting to a slave reader

PN10 supports Wiegand input, any card reader which supports Wiegand 26 interface can connect to it as a slave reader. The connections are shown in the below diagram. When adding cards, it is required to do it at the slave reader, not the controller (except EM card reader, which can be added on both the reader and controller).





DAA-PRKIT1



DC12V Special Power Standalone for Single Door Mode Diagram

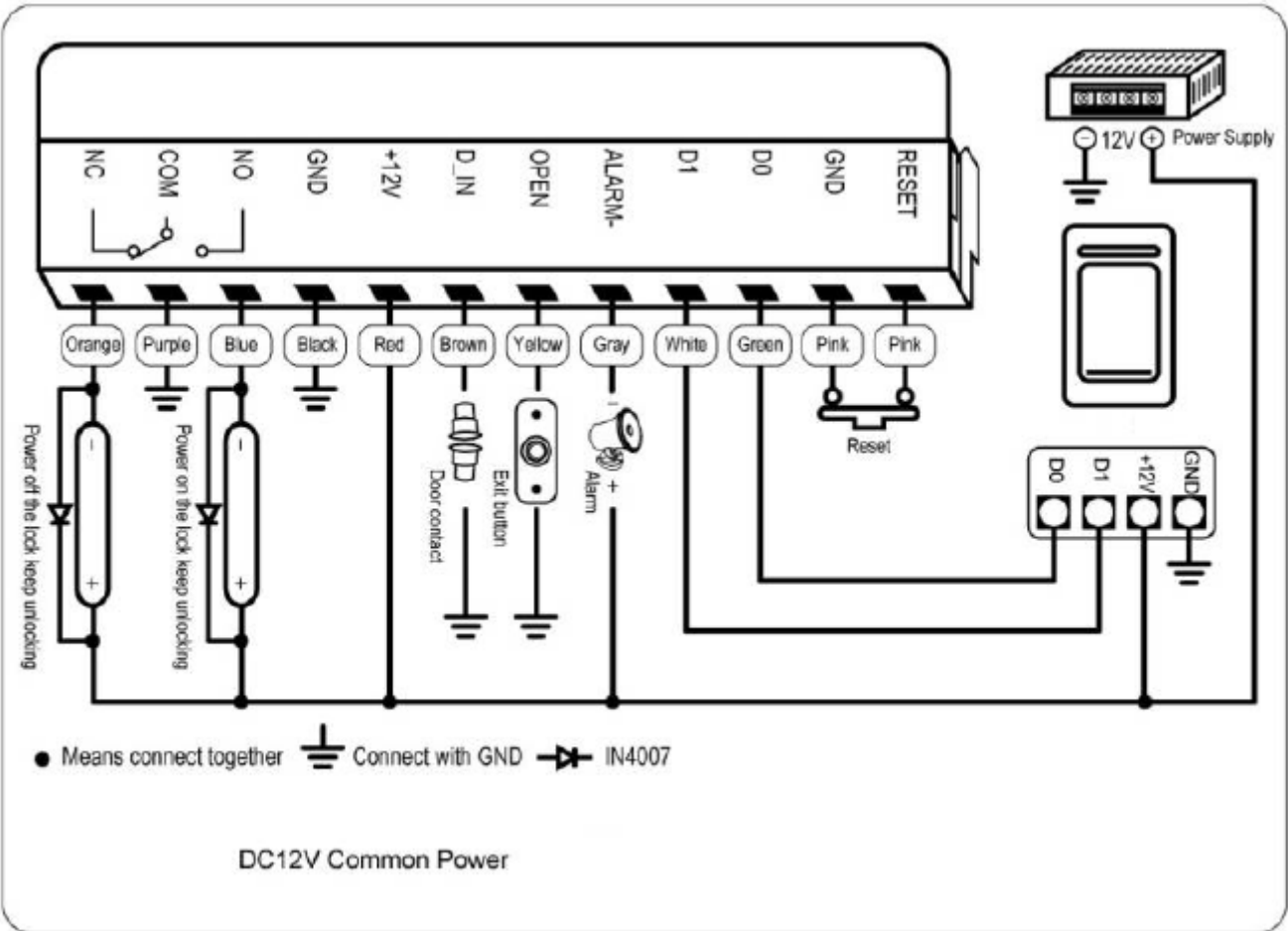


DAA-PRKIT1

11.3 Two devices interconnected – Single Door

Install one unit indoor and another outdoor, the indoor unit as a controller, the outdoor unit as a reader. This has the following features:

- Users can be enrolled on either device.
- The information on the two devices can be communicated, so in this case the user capacity for one door can be 20,000.
- The setting of both devices must be the same. If the master codes were different, the user enrolled in the outdoor unit can't access from the inside.
- Anti-passback mode can be enabled in host mode. Users must present card on the external reader to enter and internal reader to exit every time, to ensure they enter and exit legally. Users cannot enter or exit 2 times continuously.

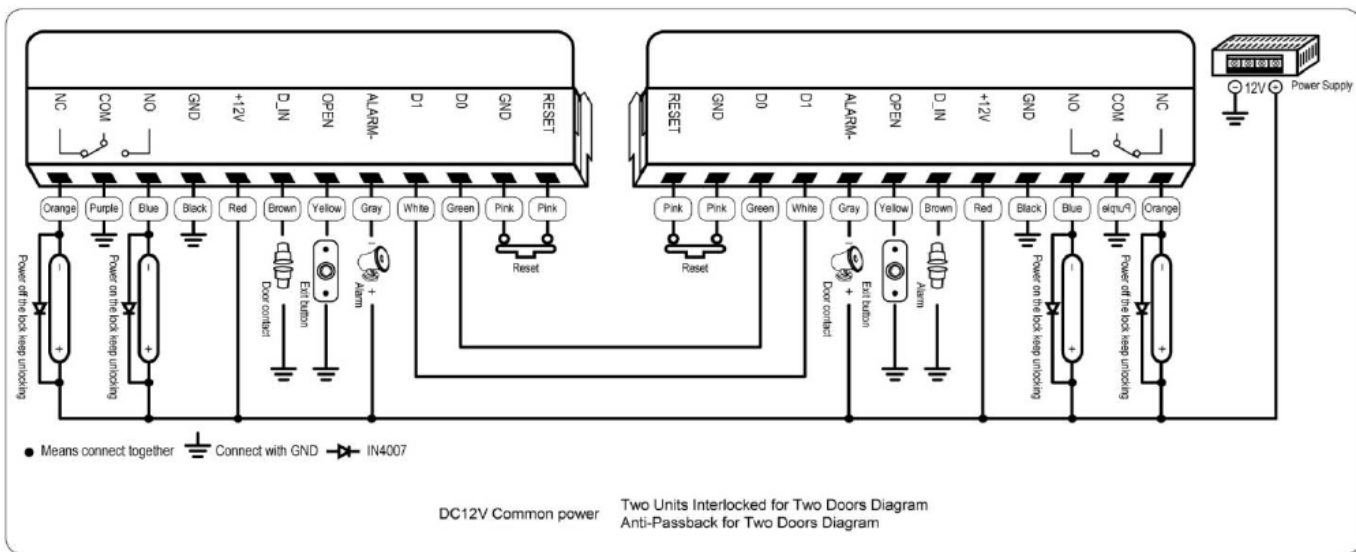




DAA-PRKIT1

11.4 Two devices interconnected and interlocked – Two doors

The connection, as shown below, is for two doors. Each door has one device and one lock. The interlock function must be turned on in the settings. When either door is unlocked and opened, it must be shut before the other door can be opened. This function is mainly used in banks, prisons and other places that require high security, with two doors fitted for one access route.



11.4 Two devices interconnected with anti-passback – Two doors

Install one device on door 1 under anti-passback subsidiary mode. Install one device on door 2 under anti-passback host mode. This function mainly applies for one way in and out systems. Users must present card on the subsidiary device to enter and on the host device to exit every time, to ensure the enter and exit 2 times continuously.

