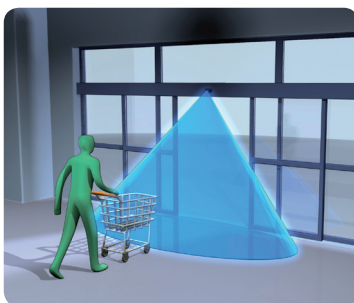
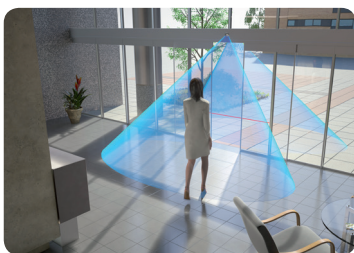
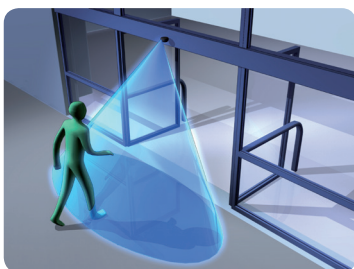




HR900

Activation



Slim Automatic Door Activation Sensor

MINIATURE

A slim 45mm(H) x 130mm(L) profile ensures HR900 looks smart on the slimmest door drive.

UNIVERSAL

Utilises a low power 24GHz radar module that allows use on automatic doors worldwide. US FCC 15.245 compliant.

LARGE, ADJUSTABLE DETECTION AREA

Adjustable, 4m(W) x 2m(D) detection area when installed at a height of 2.3m.

ENERGY SAVING

Uni-directional detecting technology reduces door hold open time and minimises building energy losses.



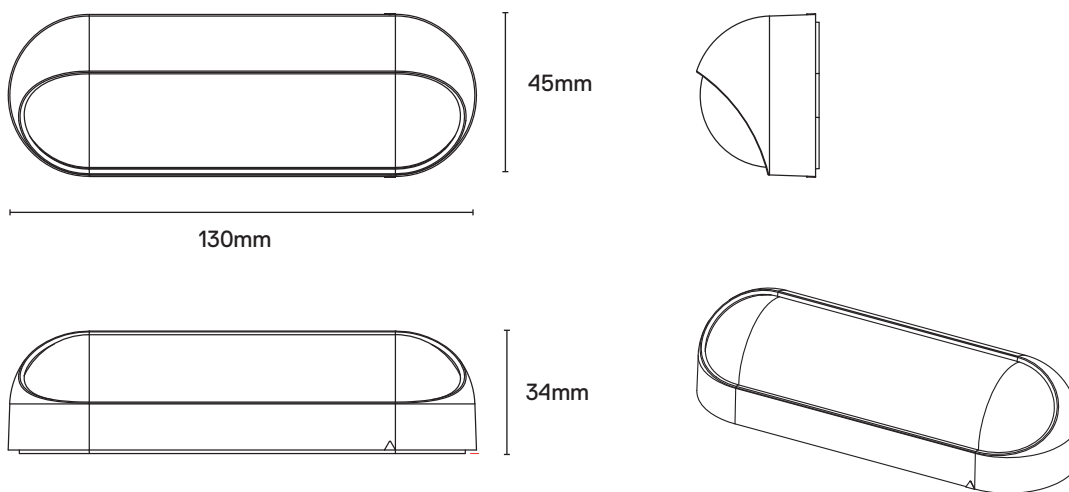
www.hotron.com

HOTRON

HR900

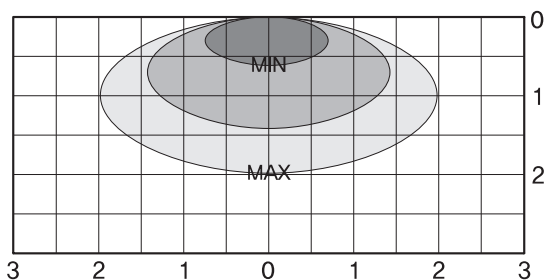
Activation

Dimensions



Detection Area

Install height 2.3m, minimum angle setting



Technical Specifications

Power Supply	DC 12-30V / AC 12-24V
Microwave Module	24.150 ~ 24.250GHz
Contact Hold Time	1 second
Detection Area	4m(W) x 2m(D) (Height: 2.3m, Lowest Angle/Highest Sensitivity)
Current Consumption	42mA(DC12V, +25°C)
Contact Capacity	100mA 400V AC/DC
Max Installation Height	3.2m
Operating Temperature / Humidity	-40°C~85°C R.H. 0%~95%